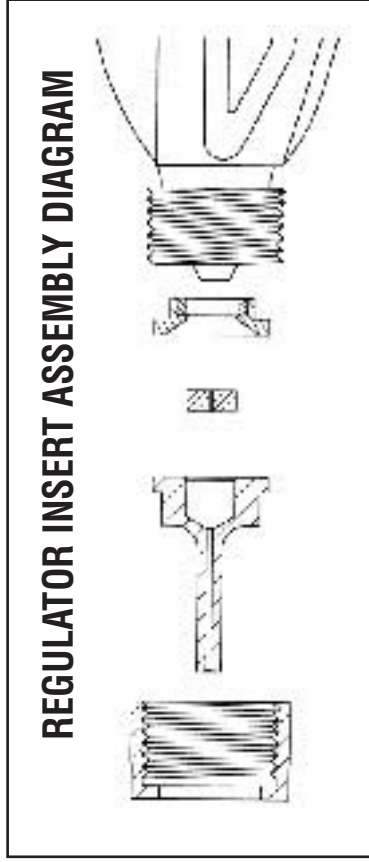
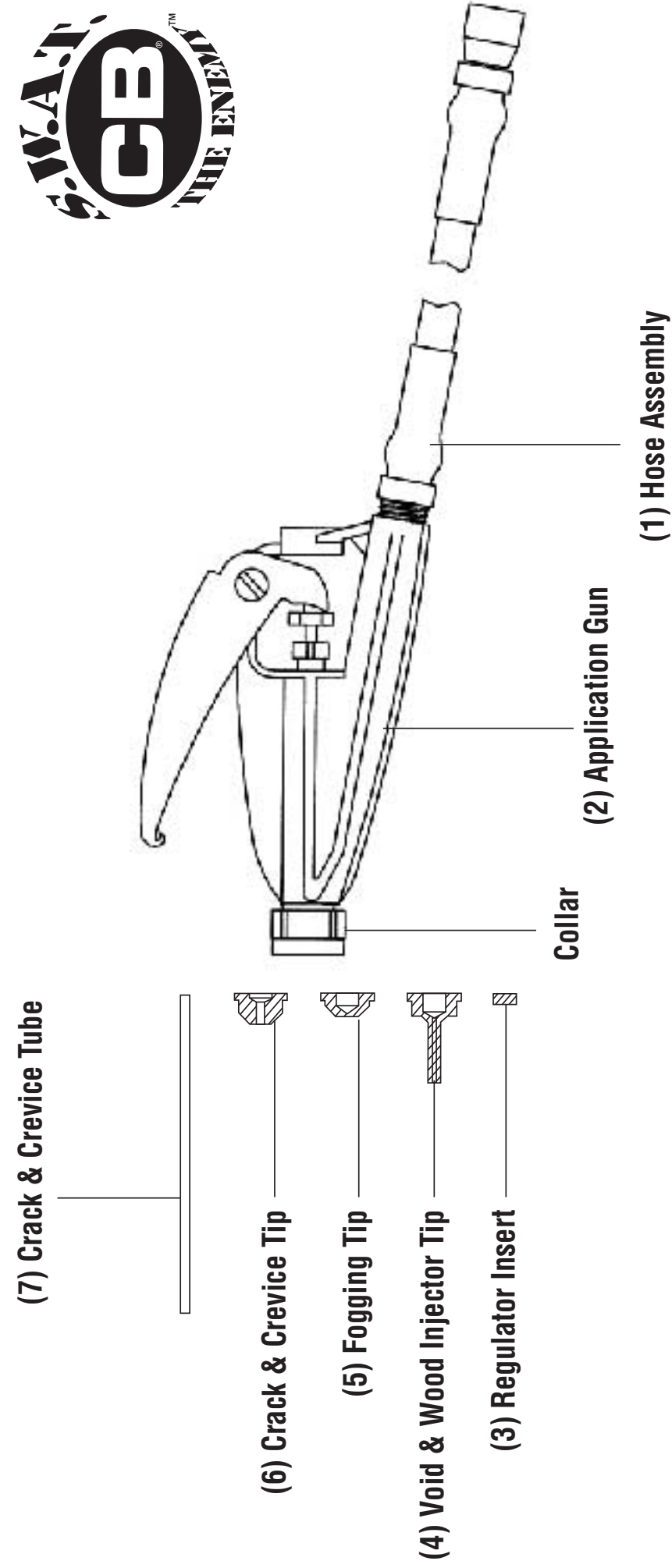


# 13 lb. CYLINDER APPLICATIONS KIT COMPONENTS GUIDE



Part No. 38-GUN002  
Cylinder Applications Kit

©2003 WATERBURY COMPANIES, INC. • P.O. 1812, Waterbury, CT 06722 • 203-597-1812 • www.CBProProducts.com

### FOR VOID AND WOOD INJECTION TREATMENTS:

Use Void & Wood Injector Tip (#4)  
This tip is to be used to inject insecticide into wall voids and termite damaged wood.

#### Directions for use:

1. Follow Void and Wood Injection treatment application instructions as specified on product label.
2. When applying, use caution as the spray might blow back if the material encounters resistance. If blow-back is a problem, use the Regulator Insert in conjunction with this tip. See Regulator Insert Instructions below for assembly.
3. If there are no existing holes to insert the Tip into, one will have to be drilled. To drill hole, use a 9/64" diameter drill tip. Drill only as deep as necessary to reach the void. Before you drill, confirm that you will not be interfering with wiring, piping or other hazardous areas.
4. When treatment is complete, always shut-off tank valve and hold the gun trigger away to expel all the insecticide in the hose before moving to another location.

#### Installing and Using Regulator Insert

Regulator Insert (#3) – Reference Regular Insert Assembly Diagram  
This insert can ONLY be used with the Void & Wood Injector and Fogging Tip. Use only when necessary to prevent excessive blow-back of the insecticide or when a lesser flow rate is desired for small areas.

#### Directions for use:

1. Carefully place the Insert into the larger diameter end of the Treatment Tip.
2. If a Treatment Tip is already installed, remove it, place in the insert, and re-install the Tip onto the gun.
3. To remove the Regulator Insert, simply loosen the Tip from the applicator gun and tap the tip on a soft towel causing the insert to fall out.
4. Always shut-off tank valve and hold the gun trigger to expel the all the insecticide in the hose before moving to another location.

### FOR CRACK & CREVICE TREATMENTS:

Use Crack & Crevice Tip (#6 and #7)  
Use this tip to inject insecticide into voids and cracks & crevices where bugs may hide.

#### Directions for use:

1. Follow Crack & Crevice Treatment instructions as directed on product label.
2. Insert the plastic tube (#7) into the Crack & Crevice Tip (#6). Turn plastic tube clockwise until it is secure. Be careful not to bend the tube.
3. Point the applicator gun away and test spray. Caution: the tube may shoot out from tip any time if it is damaged or incorrectly installed.
4. When treatment is complete, always shut-off tank valve and hold the gun trigger away to expel all the insecticide in the hose before moving to another location.

### FOR VOLUMETRIC FOGGING TREATMENTS:

Use Fogging Tip (#5)  
Use this tip for volumetric fogging applications. Also for use with the Regulator Insert to produce a finer misting fog.

#### Directions for use:

1. Follow Volumetric Fogging Treatment instructions as directed on product label.
2. When fogging an area, keep ahead of the spray and try not to walk directly into it. Spray it to the sides or even behind you while you walk.
3. When treatment is complete, always shut-off tank valve and hold the gun trigger away to expel all the insecticide in the hose before moving to another location.

## 13 Lbs. Cylinder Applications Equipment Kit Use Directions

### Applications Kit Includes:

- Hose Assembly
- Applicator Gun
- Regulator Insert
- Void & Wood Injector Tip
- Fogging Tip
- Crack & Crevice Tip
- Crack & Crevice Tube

**IMPORTANT ALWAYS READ AND FOLLOW SAFETY DIRECTIONS:**  
Always wear safety glasses and proper ventilation equipment at all times when using this equipment. Avoid drilling into electrical wire and plumbing and never use the brass constructed Void Injector where electric shock may occur.

### Basic Tip Changing Procedure

1. Shut off tank valve and squeeze gun trigger to expel all the insecticide from the hose before removing the Treatment Tips.
2. Using a suitable wrench, loosen the collar and remove existing tip from applicator gun.
3. Install new tip on applicator gun by inserting tip into the collar. Place the valve seat on top with the white plastic insert facing towards the body of the gun. Squeeze the gun trigger slightly to get the collar threads started. Tighten the collar with a wrench until snug. Do not over-tighten!
4. Test spray and check for leaks.